



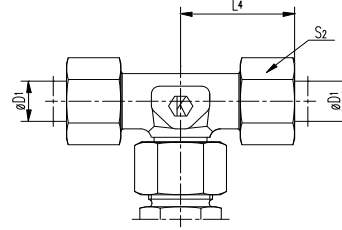
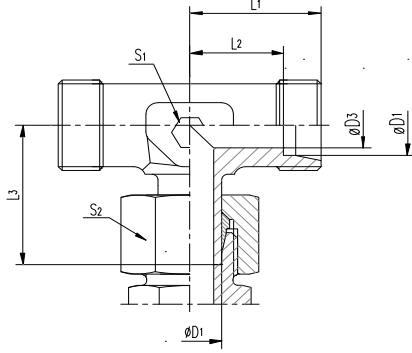
KURTMAN

EVT Standpipe branch tee
24° cone end/standpipe adjustable

OT ORTA BACAĞI TERS T

Gövde sipariş kodu
Order code without nut and cutting ring
XOT....(X225...)

Komple sipariş kodu
Order code with nut and cutting ring
OT....(225...)



| Series | Tube ØD1 | D3 | L1 | L2 | L3 | L4 | S1 | S2 | Weight g/1 piece | ITEM CODE | ITEM NAME | PN (bar) |
|---------|--------------|------|----|------|------|----|----|----|------------------------|------------|-----------|----------|
| | Boru Çapı | | | | | | | | | PARÇA KODU | PARÇA ADI | |
| L NB | 6 | 4.0 | 19 | 12.0 | 26.0 | 27 | 12 | 14 | 37 | 225200606 | OT6NB | 315 |
| | 8 | 6.0 | 21 | 14.0 | 27.5 | 29 | 12 | 17 | 49 | 225200808 | OT8NB | 315 |
| | 10 | 8.0 | 22 | 15.0 | 29.0 | 30 | 14 | 19 | 66 | 225201010 | OT10NB | 315 |
| | 12 | 10.0 | 24 | 17.0 | 30.5 | 32 | 17 | 22 | 93 | 225201212 | OT12NB | 315 |
| | 15 | 12.0 | 28 | 21.0 | 32.5 | 36 | 19 | 27 | 146 | 225201515 | OT15NB | 315 |
| | 18 | 15.0 | 31 | 23.5 | 35.5 | 40 | 24 | 32 | 201 | 225201818 | OT18NB | 315 |
| | 22 | 19.0 | 35 | 27.5 | 38.5 | 44 | 27 | 36 | 274 | 225202222 | OT22NB | 160 |
| | 28 | 24.0 | 38 | 30.5 | 43.5 | 47 | 36 | 41 | 441 | 225202828 | OT28NB | 160 |
| | 35 | 30.0 | 45 | 34.5 | 54.5 | 56 | 41 | 50 | 633 | 225203535 | OT35NB | 160 |
| | 42 | 36.0 | 51 | 40.0 | 60.0 | 63 | 50 | 60 | 1129 | 225204242 | OT42NB | 160 |
| S YB | 6 | 4.0 | 23 | 16.0 | 27.0 | 31 | 12 | 17 | 61 | 225300606 | OT6YB | 630 |
| | 8 | 5.0 | 24 | 17.0 | 29.0 | 32 | 14 | 19 | 44 | 225300808 | OT8YB | 630 |
| | 10 | 7.0 | 25 | 17.5 | 31.0 | 34 | 17 | 22 | 84 | 225301010 | OT10YB | 630 |
| | 12 | 8.0 | 29 | 21.5 | 33.0 | 38 | 17 | 24 | 131 | 225301212 | OT12YB | 630 |
| | 14 | 10.0 | 30 | 22.0 | 35.0 | 40 | 19 | 27 | 173 | 225301414 | OT14YB | 630 |
| | 16 | 12.0 | 33 | 24.5 | 37.5 | 43 | 24 | 30 | 240 | 225301616 | OT16YB | 400 |
| | 20 | 16.0 | 37 | 26.5 | 44.5 | 48 | 27 | 36 | 345 | 225302020 | OT20YB | 400 |
| | 25 | 20.0 | 42 | 30.0 | 50.5 | 54 | 36 | 46 | 647 | 225302525 | OT25YB | 400 |
| | 30 | 25.0 | 49 | 35.5 | 56.5 | 62 | 41 | 50 | 873 | 225303030 | OT30YB | 400 |
| | 38 | 32.0 | 57 | 41.0 | 66.5 | 72 | 50 | 60 | 1361 | 225303838 | OT38YB | 315 |

L= light series NB= Normal basınç
S= heavy series YB= Yüksek basınç

$\frac{PN(\text{bar})}{10} = PN(\text{MPa})$

Çinko Kaplama / Zinc plated=Cr(VI)-free