



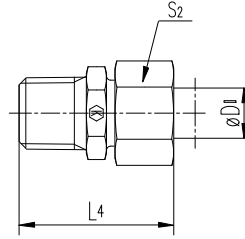
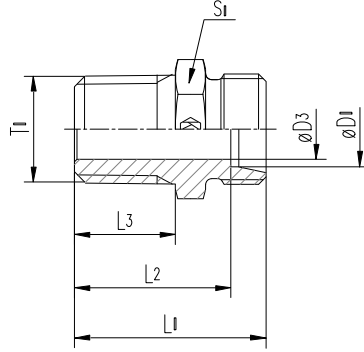
KURTMAN

GE-R (KEG) Male stud connector
Male short BSP taper thread (DIN 3852-2,type C) 24° cone end

RE-BSPT KONİK REKOR

Gövde sipariş kodu
Order code without nut and cutting ring
XRE...(X145....)

Komple sipariş kodu
Order code with nut and cutting ring
RE...(145....)



| Series | Tube ØD1 Boru Çapı | T1 BSPT | D3 | L1 | L2 | L3 | L4 | S1 | S2 | Weight g/1 piece | ITEM CODE | ITEM NAME | PN (bar) |
|----------|-----------------------------|------------|------|----|------|----|----|----|----|------------------------|------------|--------------|----------|
| | | | | | | | | | | | PARÇA KODU | PARÇA ADI | |
| LL DB | 04 | 1/8-28 | 3.0 | 20 | 16.0 | 8 | 26 | 11 | 10 | 8 | 145150402 | RE04DB02BSPT | 100 |
| | 06 | 1/8-28 | 4.5 | 20 | 14.5 | 8 | 26 | 11 | 12 | 8 | 145150602 | RE06DB02BSPT | 100 |
| | 08 | 1/8-28 | 6.0 | 22 | 16.5 | 8 | 28 | 12 | 14 | 10 | 145150802 | RE08DB02BSPT | 100 |
| | 08 | 1/4-19 | 6.0 | 26 | 20.5 | 12 | 32 | 14 | 14 | 18 | 145150804 | RE08DB04BSPT | 100 |
| | 10 | 1/4-19 | 8.0 | 26 | 20.5 | 12 | 32 | 14 | 17 | 15 | 145151004 | RE10DB04BSPT | 100 |
| | 12 | 1/4-19 | 8.0 | 26 | 20.0 | 12 | 32 | 17 | 19 | 18 | 145151204 | RE12DB04BSPT | 100 |
| | 12 | 3/8-19 | 10.0 | 26 | 20.0 | 12 | 32 | 17 | 19 | 23 | 145151206 | RE12DB06BSPT | 100 |
| L NB | 06 | 1/8-28 | 4.0 | 22 | 15.0 | 8 | 30 | 12 | 14 | 14 | 145250602 | RE06NB02BSPT | 315 |
| | 06 | 1/4-19 | 4.0 | 27 | 20.0 | 12 | 35 | 17 | 14 | 24 | 145250604 | RE06NB04BSPT | 315 |
| | 08 | 1/8-28 | 4.0 | 23 | 16.0 | 8 | 31 | 17 | 17 | 17 | 145250802 | RE08NB02BSPT | 315 |
| | 08 | 1/4-19 | 6.0 | 27 | 20.0 | 12 | 35 | 17 | 17 | 22 | 145250804 | RE08NB04BSPT | 315 |
| | 10 | 1/4-19 | 7.0 | 28 | 21.0 | 12 | 36 | 17 | 19 | 23 | 145251004 | RE10NB04BSPT | 315 |
| | 12 | 1/4-19 | 7.0 | 29 | 22.0 | 12 | 37 | 19 | 22 | 53 | 145251204 | RE12NB04BSPT | 315 |
| | 12 | 3/8-19 | 9.0 | 29 | 22.0 | 12 | 37 | 19 | 22 | 53 | 145251206 | RE12NB06BSPT | 315 |
| | 12 | 1/2-14 | 10.0 | 31 | 24.0 | 14 | 39 | 24 | 22 | 53 | 145251208 | RE12NB08BSPT | 315 |
| | 15 | 3/8-19 | 9.0 | 30 | 23.0 | 12 | 38 | 24 | 27 | 49 | 145251506 | RE15NB06BSPT | 315 |
| | 15 | 1/2-14 | 11.0 | 32 | 25.0 | 14 | 40 | 24 | 27 | 59 | 145251508 | RE15NB08BSPT | 315 |
| | 18 | 1/2-14 | 14.0 | 33 | 25.5 | 14 | 42 | 27 | 32 | 64 | 145251808 | RE18NB08BSPT | 315 |
| | 22 | 3/4-14 | 17.0 | 37 | 29.5 | 16 | 46 | 32 | 36 | 99 | 145252212 | RE22NB12BSPT | 160 |
| | 28 | 1-11 | 23.0 | 40 | 32.5 | 18 | 49 | 41 | 41 | 154 | 145252816 | RE28NB16BSPT | 160 |
| | 35 | 1 1/4-11 | 30.0 | 45 | 34.5 | 20 | 56 | 46 | 50 | 238 | 145253520 | RE35NB20BSPT | 160 |
| | 42 | 1 1/2-11 | 36.0 | 49 | 38.0 | 22 | 61 | 55 | 60 | 335 | 145254224 | RE42NB24BSPT | 160 |

LL= very light series DB= Düşük basınç
L= light series NB= Normal basınç

PN (bar) = PN (MPa)
10

Çinko kaplama / Zinc plated=Cr(VI)-free