



KURTMAN

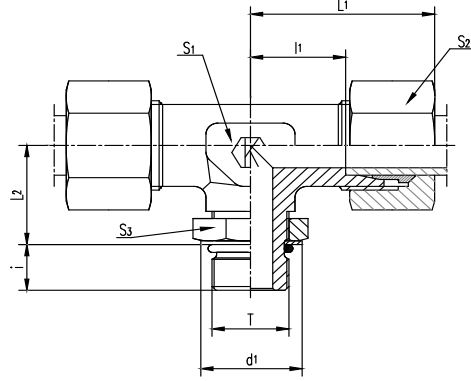
TEE-OR/R Adjustable locknut branch tee 24° cone end/adjustable BSPP thread

OKST-R ORTA BACAĞI KONTRALI T

Sipariş kodu

Order code

OKST....(169...)



Series	Tube ØD1 Boru Çapı	T (BSPP)	L1	I1	L2	i	d1	S1	S2	S3	O-RİNG	ITEM CODE	ITEM NAME	PN (bar)
												PARÇA KODU	PARÇA ADI	
L NB	6	G 1/8	27	12	20	7	15	12	14	14	OR 8.1x1.6	169210602	OKST6NBR2	315
	8	G 1/4	29	14	22	10	18	12	17	17	OR 11.3x2.2	169210804	OKST8NBR4	315
	10	G 1/4	30	15	25	10	20	14	19	19	OR 11.3x2.2	169211004	OKST10NBR4	315
	12	G 3/8	32	17	26	10	23	17	22	22	OR 13.3x2.2	169211206	OKST12NBR6	315
	15	G 1/2	36	21	30	11	25	19	27	24	OR 19.3x2.2	169211508	OKST15NBR8	315
	18	G 1/2	40	23.5	33	12	28	24	32	27	OR 19.3x2.2	169211808	OKST18NBR8	250
	22	G 3/4	44	27.5	35	14	33	27	36	32	OR 23.6x2.9	169212212	OKST22NBR12	160
	28	G 1	47	30.5	38	14	41	36	41	41	OR 29.6x2.9	169212816	OKST28NBR16	160
	35	G 1 1/4	56	34.5	48	14	51	41	50	50	OR 38.6x2.9	169213520	OKST35NBR20	160
42	G 1 1/2	63	40	49	16	56	50	60	55	OR 44.6x2.9	169214224	OKST42NBR24	160	
S YB	6	G 1/4	31	16	22	10	18	12	17	17	OR 11.3x2.2	169310604	OKST6YBR4	315
	8	G 1/4	32	17	26	10	20	14	19	19	OR 11.3x2.2	169310804	OKST8YBR4	315
	10	G 3/8	34	17.5	27	11	23	17	22	22	OR 13.3x2.2	169311006	OKST10YBR6	315
	12	G 3/8	38	21.5	31	12	25	19	24	24	OR 13.3x2.2	169311206	OKST12YBR6	315
	14	G 1/2	40	22	35	14	28	19	27	27	OR 19.3x2.2	169311408	OKST14YBR8	250
	16	G 1/2	43	24.5	35	14	28	24	30	27	OR 19.3x2.2	169311608	OKST16YBR8	250
	20	G 3/4	48	26.5	39	16	33	27	36	32	OR 23.6x2.9	169312012	OKST20YBR12	250
	25	G 1	54	30	44	16	41	36	46	41	OR 29.6x2.9	169312516	OKST25YBR16	200
	30	G 1 1/4	62	35.5	51	17	51	41	50	50	OR 38.6x2.9	169313020	OKST30YBR20	200
38	G 1 1/2	72	41	54	19	56	50	60	55	OR 44.6x2.9	169313824	OKST38YBR24	160	

L= light series NB= Normal basınç
S= heavy series YB= Yüksek basınç

PN (bar) = PN (MPa)
10

Çinko kaplama / Zinc plated=Cr(VI)-free