



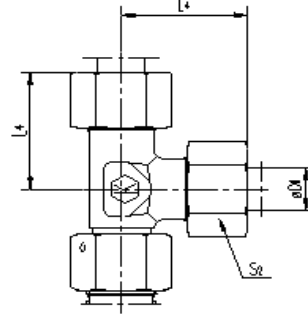
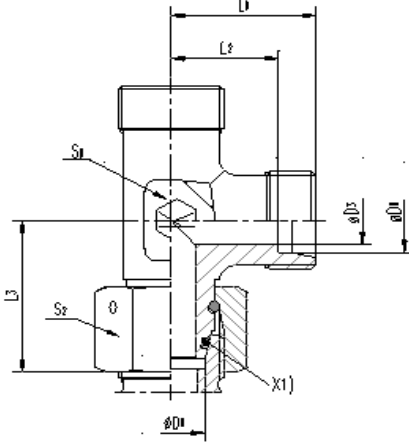
KURTMAN

EL Swivel nut run tee
24° cone end/24° DKO swivel

YTP PİMLİ YAN BACAĞI TERS T

Gövde sipariş kodu
Order code without nut and cutting ring
XYTP (X516...)

Komple sipariş kodu
Order code with nut and cutting ring
YTP (516...)



X1) O-ring OR

Series	Tube ØD1 Boru Çapı	D3	L1	L2	L3	L4	S1	S2	Weight g/1 piece	ITEM CODE	ITEM NAME	PN (bar)
										PARÇA KODU	PARÇA ADI	
L NB	6	4.0	19	12.0	26.0	27	12	14	43	516200606	YTP6NB12	315
	8	6.0	21	14.0	27.5	29	12	17	49	516200808	YTP8NB14	315
	10	8.0	22	15.0	29.0	30	17	19	78	516201010	YTP10NB16	315
	12	10.0	24	17.0	29.5	32	17	22	81	516201212	YTP12NB18	315
	15	12.0	28	21.0	32.5	36	19	27	141	516201515	YTP15NB22	315
	18	15.0	31	23.5	35.5	40	24	32	203	516201818	YTP18NB26	315
	22	19.0	35	27.5	38.5	44	27	36	267	516202222	YTP22NB30	160
	28	24.0	38	30.5	41.5	47	36	41	408	516202828	YTP28NB36	160
	35	30.0	45	34.5	51.0	56	41	50	616	516203535	YTP35NB45	160
	42	36.0	51	40.0	56.0	63	50	60	920	516204242	YTP42NB52	160
S YB	6	4.0	23	16.0	27.0	31	12	17	65	516300606	YTP6YB14	630
	8	5.0	24	17.0	27.5	32	17	19	91	516300808	YTP8YB16	630
	10	7.0	25	17.5	30.0	34	17	22	105	516301010	YTP10YB18	630
	12	8.0	29	21.5	31.0	38	17	24	150	516301212	YTP12YB20	630
	14	10.0	30	22.0	35.0	40	19	27	222	516301414	YTP14YB22	630
	16	12.0	33	24.5	36.5	43	24	30	229	516301616	YTP16YB24	400
	20	16.0	37	26.5	44.5	48	27	36	346	516302020	YTP20YB30	400
	25	20.0	42	30.0	50.0	54	36	46	643	516302525	YTP25YB36	400
	30	25.0	49	35.5	55.0	62	41	50	872	516303030	YTP30YB42	400
	38	32.0	57	41.0	63.0	72	50	60	1328	516303838	YTP38YB52	315

L= light series NB= Normal basınç
S= heavy series YB= Yüksek basınç

$\frac{PN(\text{bar})}{10} = PN(\text{MPa})$

Çinko Kaplama / Zinc plated=Cr(VI)-free