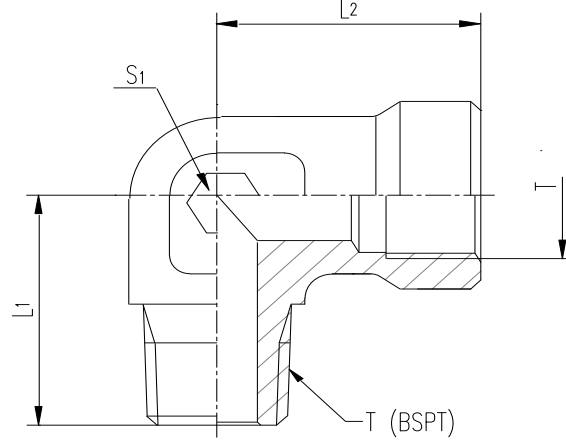




Male stud 90° adapter

KYD KUYRUKLU DİRSEK

Sipariş kodu
Order code
KYD....(307...)



T	L1	L2	S1	ITEM CODE	ITEM NAME	PN (Bar)
				PARÇA KODU	PARÇA ADI	
G 1/8	20	24	17	307010202	KYD1/8"	400
G 1/4	27	25	19	307010404	KYD1/4"	400
G 3/8	28	26	22	307010606	KYD3/8"	400
G 1/2	36	34	27	307010808	KYD1/2"	350
G 3/4	42	42	36	307011212	KYD3/4"	250
G 1	48	45	41	307011616	KYD1"	250
G 1 1/4	54	59	50	307012020	KYD1 1/4"	160
G 1 1/2	-	-	-	307012424	KYD1 1/2"	160

$\frac{\text{PN (bar)}}{10} = \text{PN (MPa)}$

Çinko Kaplama / Zinc plated=Cr(VI)-free