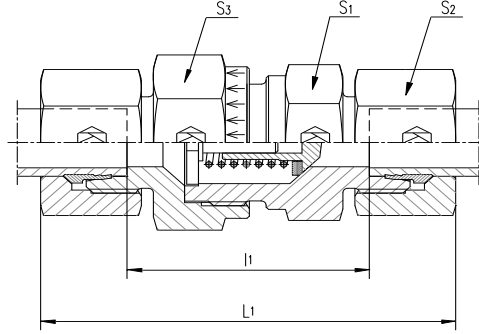


Sipariş kodu  
Order code  
CVN...(371....)



Series	Tube ØD1 Boru Çapı	l1	L1	S1	S2	S3	ITEM CODE	ITEM NAME	PN (bar)
							PARÇA KODU	PARÇA ADI	
L NB	6	29	58	17	14	17	371200606	CVN6NB	250
	8	30	59	19	17	19	371200808	CVN8NB	250
	10	40.5	69.5	22	19	24	371201010	CVN10NB	250
	12	43.5	72.5	27	22	30	371201212	CVN12NB	250
	15	47.5	77.5	27	27	32	371201515	CVN15NB	250
	18	51.5	83.5	36	32	36	371201818	CVN18NB	160
	22	61.5	93.5	41	36	46	371202222	CVN22NB	160
	28	69.5	102.5	50	41	55	371202828	CVN28NB	100
	35	74.5	117.5	60	50	60	371203535	CVN35NB	100
42	74	119	65	60	70	371204242	CVN42NB	100	
S YB	6	34.5	63.5	19	17	19	371300606	CVN6YB	400
	8	34.5	63.5	19	19	19	371300808	CVN8YB	400
	10	40.5	72.5	22	22	24	371301010	CVN10YB	400
	12	42.5	74.5	24	24	27	371301212	CVN12YB	400
	14	47.5	82.5	27	27	32	371301414	CVN14YB	400
	16	50.5	86.5	32	30	36	371301616	CVN16YB	400
	20	54.5	97.5	41	36	46	371302020	CVN20YB	400
	25	58.5	106.5	46	46	50	371302525	CVN25YB	250
	30	69.5	122.5	60	50	60	371303030	CVN30YB	250
	38	75.5	136.5	65	60	70	371303838	CVN38YB	250

L= light series      NB= Normal basınç  
S= heavy series      YB= Yüksek basınç

$\frac{PN (bar)}{10} = PN (MPa)$

Çinko Kaplama / Zinc plated=Cr(VI)-free