

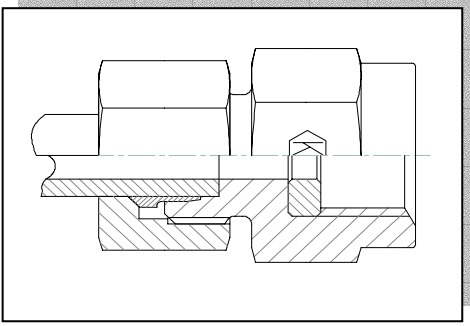


KURTMAN

## ADAPTERS CONNECTORS

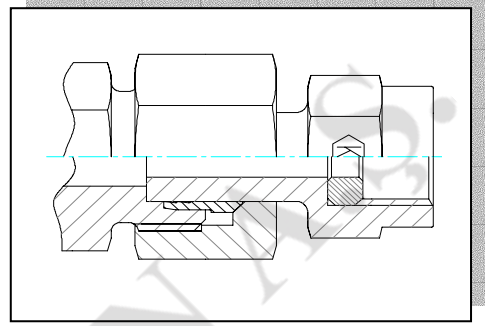
## ADAPTÖR BAĞLANTILAR

**MAV - Pressure Gauge Connector**  
**MBR - Manometre Bağlantı Rekoru**



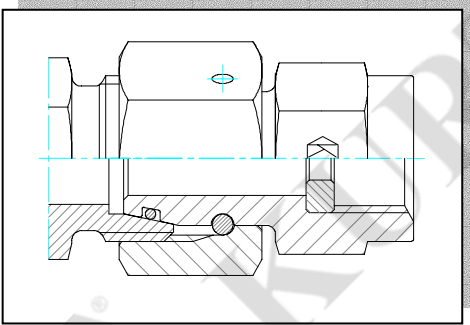
1

**MAVE - Pressure Gauge Standpipe Connector**  
**MTR - Manometre Ters Bağlantı Rekoru**



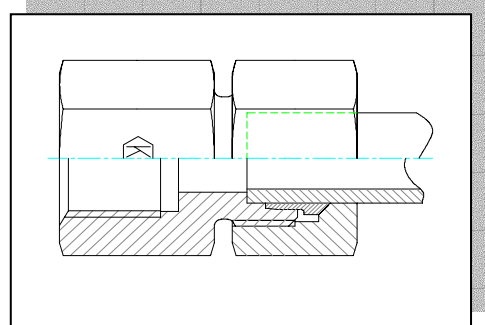
2

**MAVE - Pressure Gauge With Swivel Nut Connector**  
**MTR-P - Pimli Manometre Ters Bağlantı Rekoru**



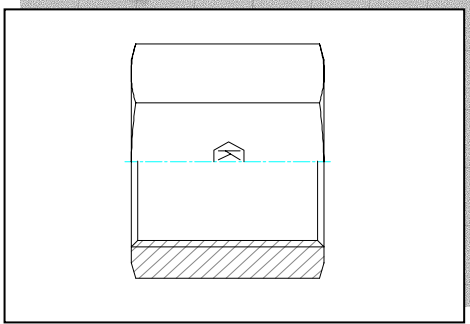
3

**GAI-R/M - Straight Female Fittings**  
**DRE-G/M - Dişi Rekor**



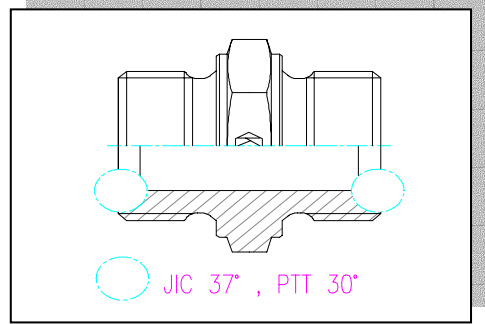
4-5

**Female to Female Connector**  
**MA - Manşon**



6

**Male to Male Stud Connector**  
**DZN - Düz Nipel / İçe Konik Düz Nipel**



7

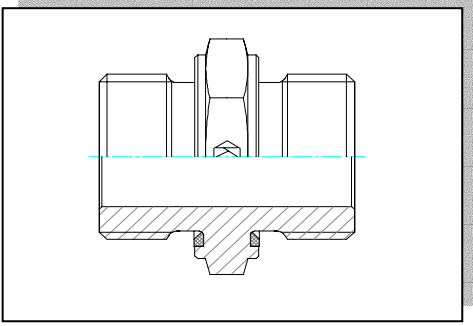


KURTMAN

## ADAPTERS CONNECTORS

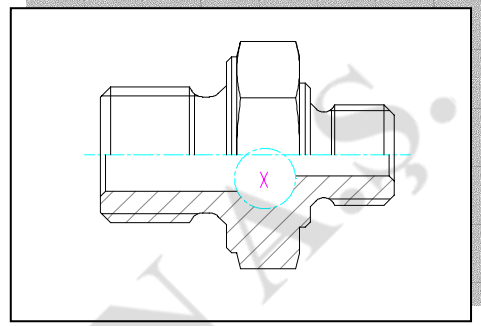
## ADAPTÖR BAĞLANTILAR

Male to Male Connector With Plx.  
DZN-PLX - Peflex'li Düz Nipel



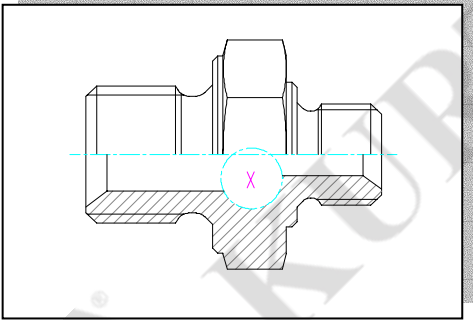
8

Male to Male Adapters  
ODZN - Orantılı Düz Nipel



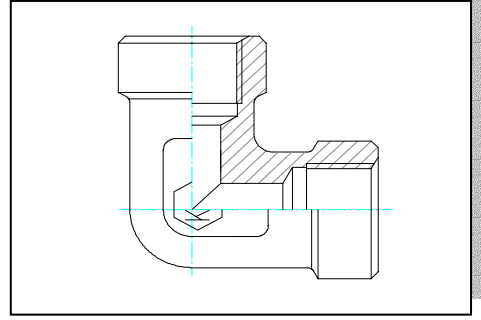
9

Male to Male Adapters 37° Conical Hole  
ODZN37- 37° İçe Konik Orantılı Düz Nipel



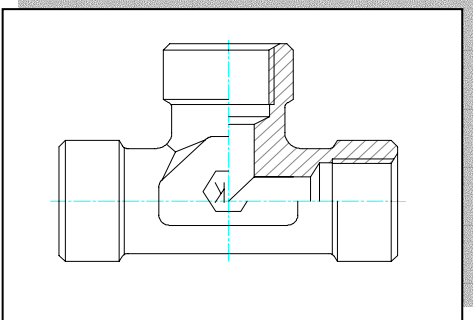
10

Female Elbow  
IDD - Dişi Dirsek



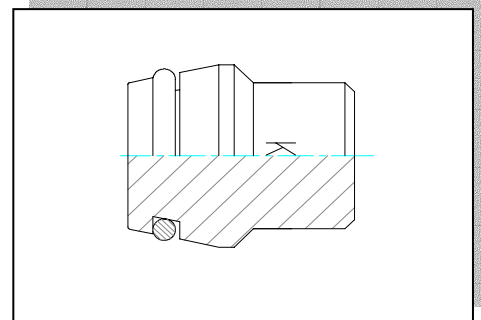
11

Female Tee  
IDT- Dişi T



12

VKA - Blanking Plug For Cones  
TAP-OR - Oringli Kapak Körtapa



13

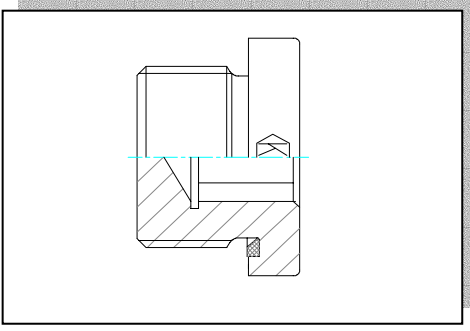


KURTMAN

ADAPTERS CONECTORS

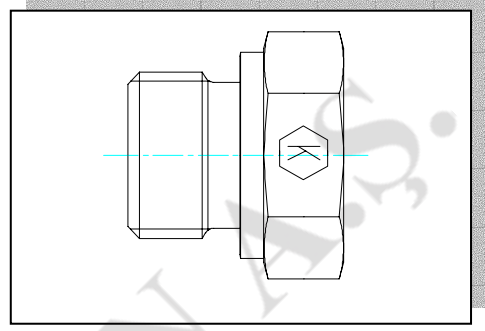
ADAPTÖR BAĞLANTILAR

VSTI-R/M-ED - Inner Hex Blanking Plug With Peflex  
ALKT-G-PLX - Peflex'li Alyan Başlı Körtapa



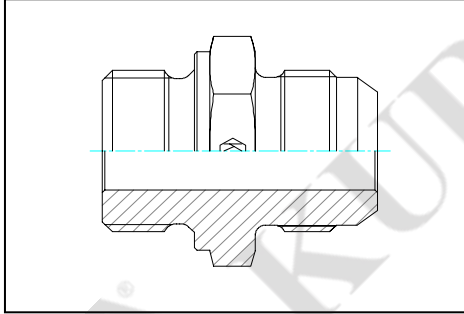
14

Blanking Plug For Port  
KT-G - Körtapa



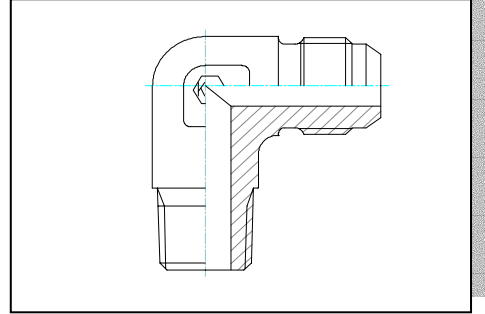
15

Male Stud Connector JIC 37°  
HAN - Hortum Ara Nipeli



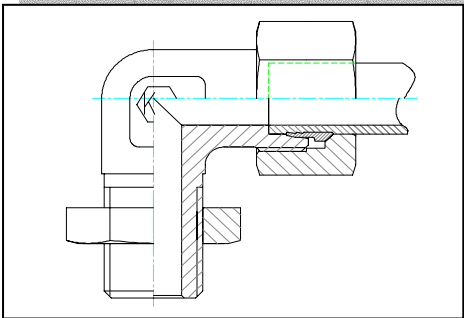
16

Male Stud Elbow JIC 37°  
HAD - Hortum Ara Dirseği



17

Bulkhead Elbow / R  
KSD - Kontra Somunlu Dirsek



18