



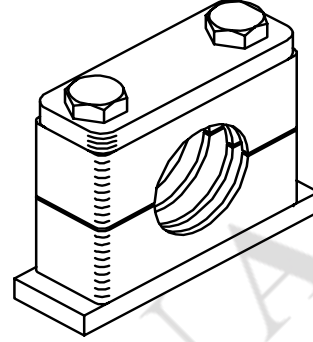
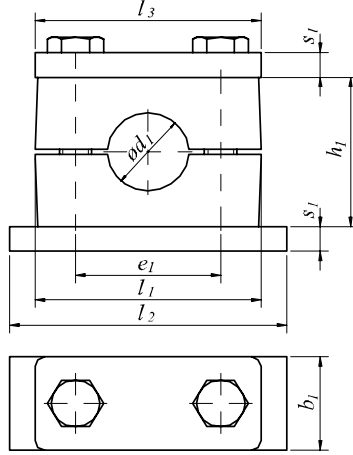
KURTMAN

HEAVY TYPE

BK/AS AĞIR SERİ

DIN 3015/2

Malzeme: Polipropilen
Material : Polypropilen



Grup No 1'den 6'ya kadar

| Grup No | b1 | d1 | e1 | h1 | l1 | l2 | l3 | s1 | ITEM CODE PARÇA KODU |
|---------|-----------|-------------|-----|-----|-----|-----|-----|----|-------------------------|
| 1 | 30 | 6 | 33 | 32 | 55 | 74 | 55 | 8 | 905110606 |
| | | 8 | | | | | | | 905110808 |
| | | 10 1/8" | | | | | | | 905111010 |
| | | 12 | | | | | | | 905111212 |
| | | 13,5 1/4" | | | | | | | 905111313 |
| | | 14 | | | | | | | 905111414 |
| | | 15 | | | | | | | 905111515 |
| | | 16 | | | | | | | 905111616 |
| | | 17,2 3/8" | | | | | | | 905111717 |
| | | 18 | | | | | | | 905111818 |
| 2 | 30 | 20 | 45 | 48 | 70 | 86 | 70 | 8 | 905212020 |
| | | 21,3 1/2" | | | | | | | 905212121 |
| | | 22 | | | | | | | 905212222 |
| | | 25 | | | | | | | 905212525 |
| | | 26,9 3/4" | | | | | | | 905212626 |
| | | 28 | | | | | | | 905212828 |
| | | 30 | | | | | | | 905213030 |
| 3 | 30 | 32 | 60 | 60 | 85 | 100 | 85 | 8 | 901313232 |
| | | 33,7 1" | | | | | | | 905313333 |
| | | 35 | | | | | | | 905313535 |
| | | 38 | | | | | | | 905313838 |
| | | 40 | | | | | | | 905314040 |
| 4 | 45 | 38 | 90 | 89 | 115 | 140 | 115 | 10 | 905413838 |
| | | 42 1 1/4" | | | | | | | 905414242 |
| | | 48,3 1 1/2" | | | | | | | 905414848 |
| | | 50 | | | | | | | 905415050 |
| | | 55 | | | | | | | 905415555 |
| | | 60,3 2" | | | | | | | 905416060 |
| | | 65 | | | | | | | 905416565 |
| | | 70 | | | | | | | 905417070 |
| 5 | 60 | 70 | 122 | 120 | 154 | 180 | 154 | 10 | 905517070 |
| | | 75 | | | | | | | 905517575 |
| | | 76,1 2 1/2" | | | | | | | 905517676 |
| | | 80 | | | | | | | 905518080 |
| | | 88,9 3" | | | | | | | 905518888 |
| 90 | 905519090 | | | | | | | | |
| 6 | 80 | 88,9 3" | 168 | 168 | 206 | 226 | 206 | 15 | 905618888 |
| | | 100 | | | | | | | 905611000 |
| | | 102 3 1/2" | | | | | | | 905611002 |
| | | 114,3 4" | | | | | | | 905611014 |
| | | 127 | | | | | | | 905611027 |