

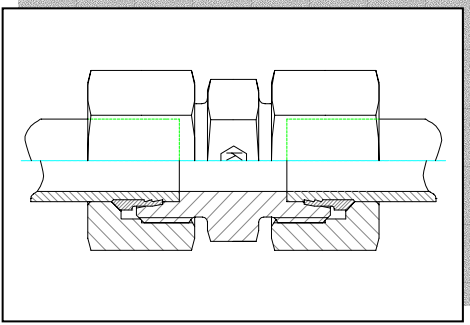


KURTMAN

TUBE TO TUBE COUPLINGS

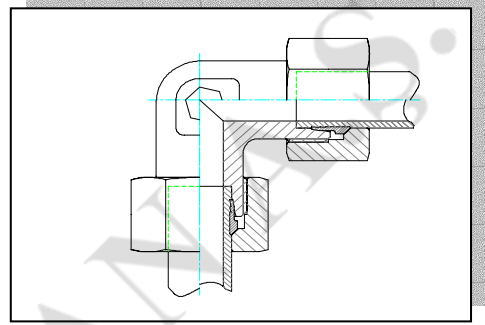
BORU BAĞLANTI PARÇALARI

G - Straight Fittings
N - Nipel



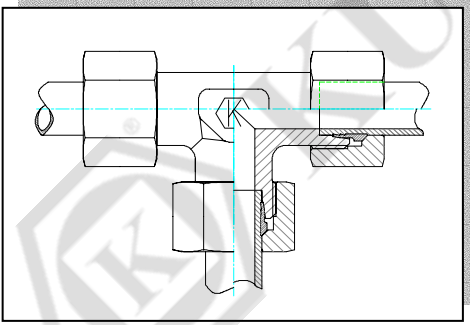
1

W - Elbow
D - Dirsek



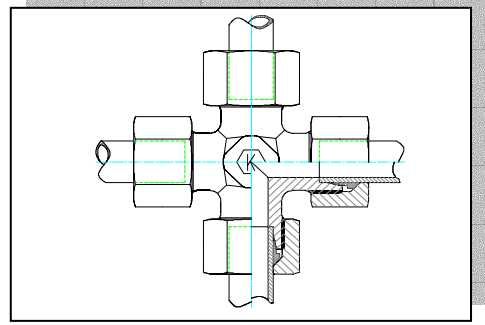
2

T - Equal Tees
T - "T"



3

K - Equal Crosses
K - Kruva



4