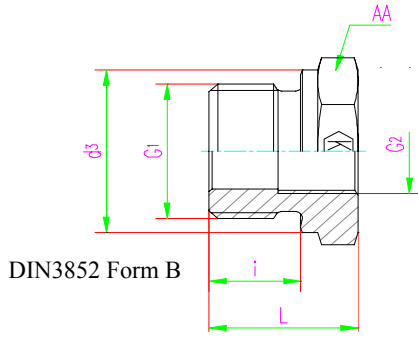




KURTMAN

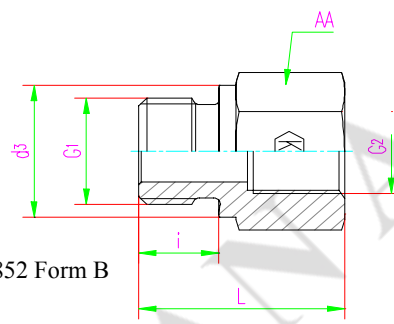
RI - Reducing Thread Adapters

RD - DIŞLİ REDÜKSİYON



DIN3852 Form B

Kısa Tip / Short Type



DIN3852 Form B

Uzun Tip / Long Type

	G ₁	G ₂	i	L	AA	d ₃	ITEM CODE
							PARÇA KODU
Kısa Tip / Short Type	G 3/8"-19	G 1/8"-28	12	22,5	22	22	242010602
	G 1/2"-14	G 1/4"-19	14	24	27	26	242010804
	G 3/4"-14	G 1/4"-19	16	26	32	32	242011204
	G 3/4"-14	G 3/8"-19	16	26	32	32	242011206
	G 1"-11	G 1/4"-19	18	29	41	39	242011604
	G 1"-11	G 3/8"-19	18	29	41	39	242011606
	G 1"-11	G 1/2"-14	18	29	41	39	242011608
	G 1 1/4"-11	G 1/2"-14	20	32	50	49	242012008
	G 1 1/4"-11	G 3/4"-14	20	32	50	49	242012012
	G 1 1/2"-11	G 1/2"-14	22	36	55	55	242012408
	G 1 1/2"-11	G 3/4"-14	22	36	55	55	242012412
G 1 1/2"-11	G 1"-11	22	36	55	55	242012416	
Uzun Tip / Long Type	G 1/4"-19	G 1/8"-28	12	28	19	18	242010402
	G 3/8"-19	G 1/4"-19	12	36	22	22	242010604
	G 1/2"-14	G 3/8"-19	14	36	27	26	242010806
	G 3/4"-14	G 1/2"-14	16	41	32	32	242011208
	G 1"-11	G 3/4"-14	18	47	41	39	242011612
	G 1 1/4"-11	G 1"-11	20	52	50	49	242012016
	G 1 1/2"-11	G 1 1/4"-11	22	58	55	55	242012420