



KURTMAN

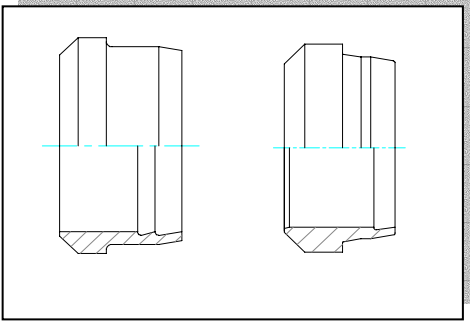
ASSEMBLING PARTS

SIKMA PARÇALARI

**DPR - Progressive Ring**

**D - Cutting Ring**

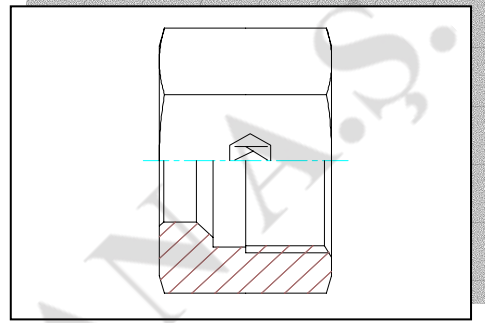
**Y - Yüksük**



1

**M - Nut**

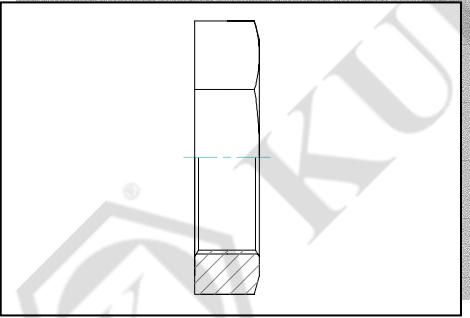
**S - Somun**



2

**GM /R - Bulkhead locknut**

**KS-M/R - Metrik / Gaz Diş Kontra Somun**



3 - 4