

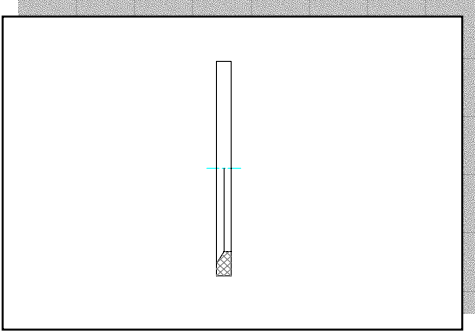


KURTMAN

SEALING CONNECTORS

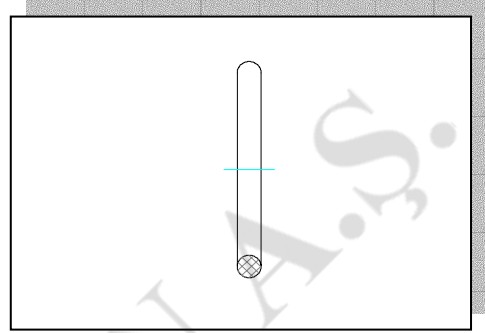
SIZDIRMAZLIK ELEMANLARI

ED- Soft Sealing
PLX - Peflex



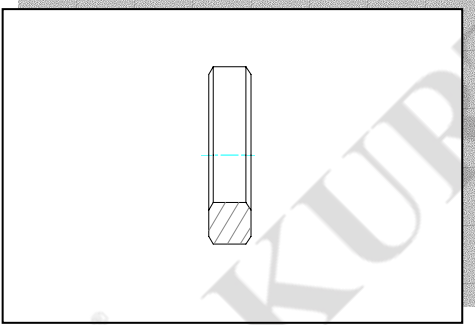
1

O-rings
O-ring



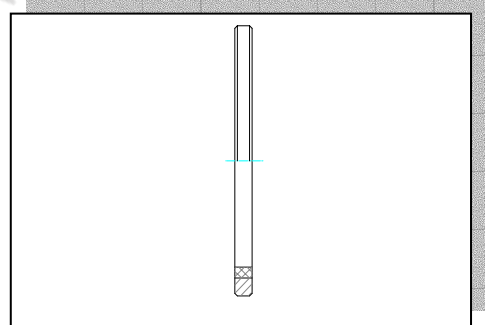
2

DKI- Sealing Ring For Pressure Gauge Connectors
MBR/H - Manometre Rekoru Halkası



3

Bonded Seal
SP/PUL Süper Pul



4