

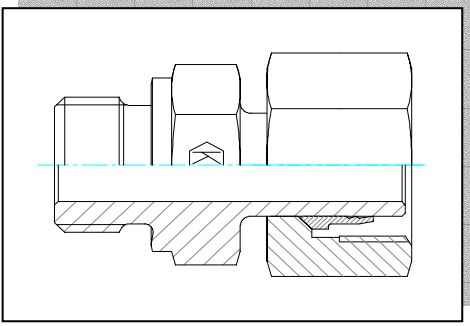


KURTMAN

STANDPIPE COUPLINGS

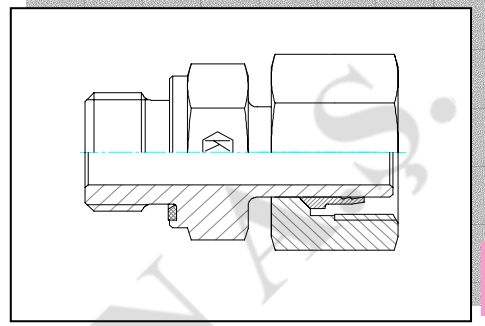
TERS BAĞLANTILAR

EVGE-R/M - Straight Stud Standpipes
TRE-G/M - Ters Rekor



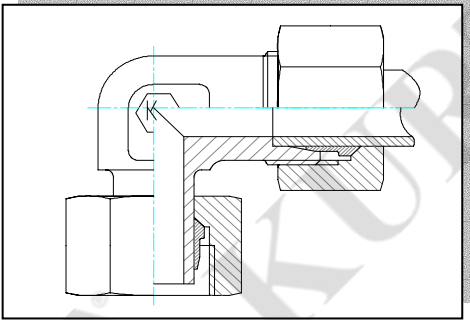
1-2

EVGE-R/M-ED - Straight Stud Standpipes
TRE-G/M-PLX - Peflex'li Ters Rekor



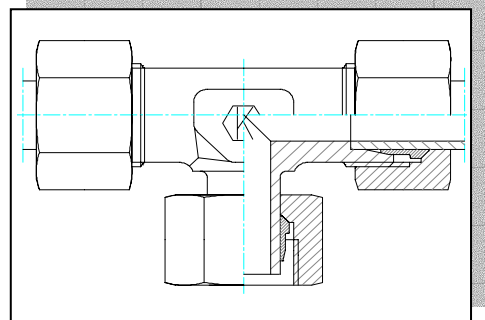
3-4

EVW - Standpipe Elbow
TD - Ters Dirsek



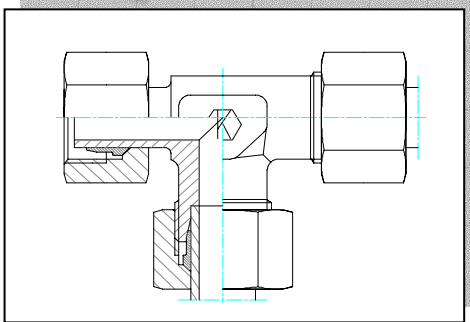
5

EVT - Standpipe Branch Tee
OTT - Orta Bacak Ters T



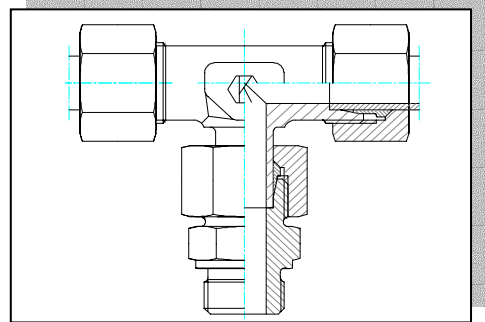
6

EVL - Standpipe Barrel Tee
YTT - Yan Bacak Ters T



7

EVT-R - Assembled Adjustable Standpipe Branch Tee
RT-G - Rekorlu T



8

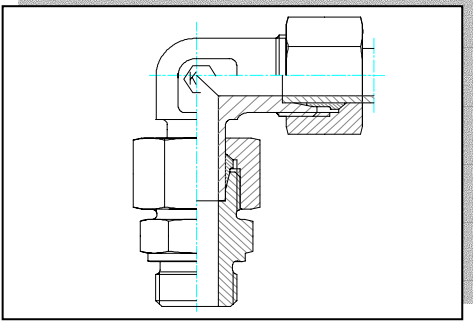


KURTMAN

STANDPIPE COUPLINGS

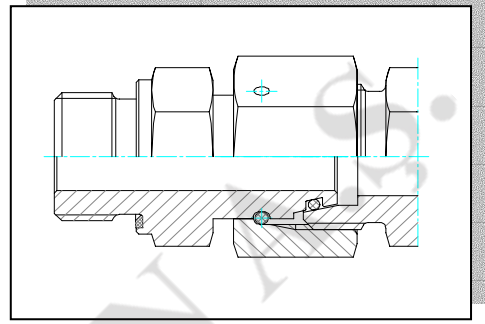
TERS BAĞLANTILAR

EVW-R - Assembled Adjustable Standpipe Elbow
RTD-G - Rekorlu Dirsek



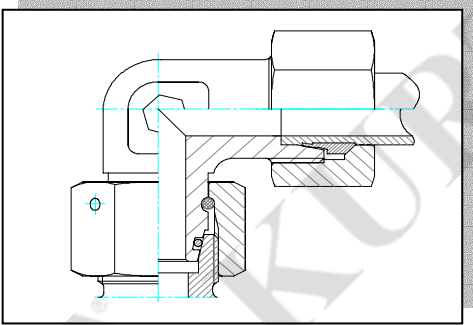
9

EGE -R/M-ED - Swivel Nut Stud Coupling
TRE-G/M -P - Pimli Ters Rekor



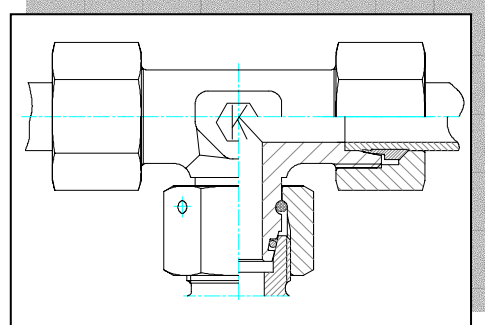
10-11

EW - Swivel Nut Elbow
TD-P - Pimli Ters Dirsek



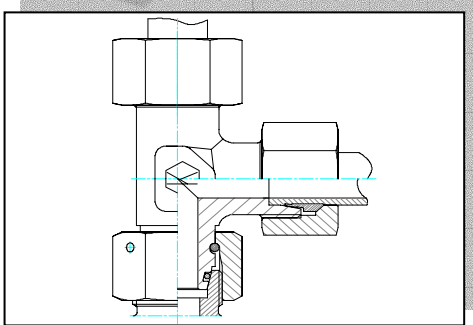
12

ET - Swivel Nut Branch Tee
OTT-P - Pimli Orta Bacak Ters T



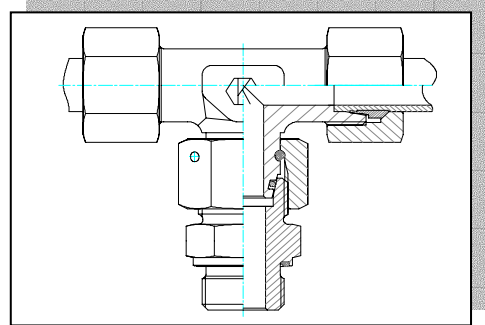
13

EL - Swivel Nut Run Tee
YTT-P - Pimli Yan Bacak Ters T



14

EVT-R-ED - Assembled Adjustable Swivel Branch Tee
RT-G-P - Pimli Rekorlu T



15

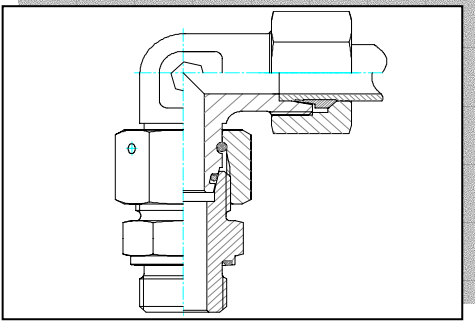


KURTMAN

STANDPIPE COUPLINGS

TERS BAĞLANTILAR

EVW-R-ED - Assembled Adjustable Swivel Nut Elbow
RTD-G-P - Pimli Rekorlu Dirsek



16